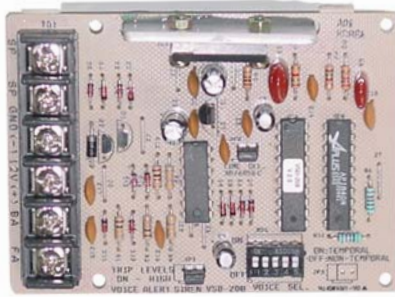


VSD-208

MULTI-TONE HIGHPOWER SIREN DRIVER

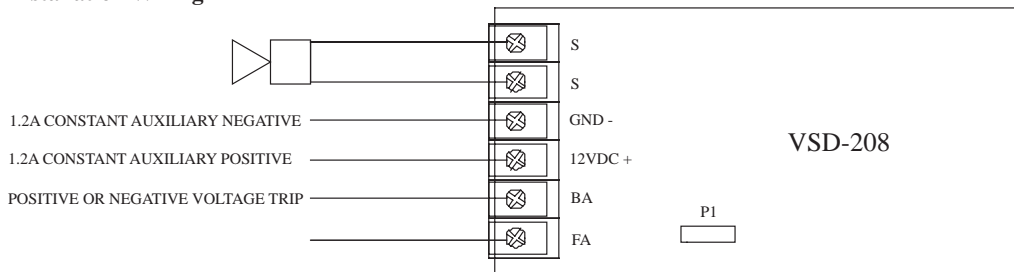


- Fire and burglar 2-channel
- Two voice message options
- 8 distinctive siren/bell sounds
- 32 mode selection
- Field selectable input level (high/low)
- Terminal strip for secure wire connections
- Comparable with most control panels
- Operating voltage range 9 - 18 VDC
- Furious barking dogs sound
- Compact size 2.63" W x 4.21" L x 1.26" H
- Current draw

Idle	1.2mA
8 ohm load	1.1A
16 ohm load	0.8A

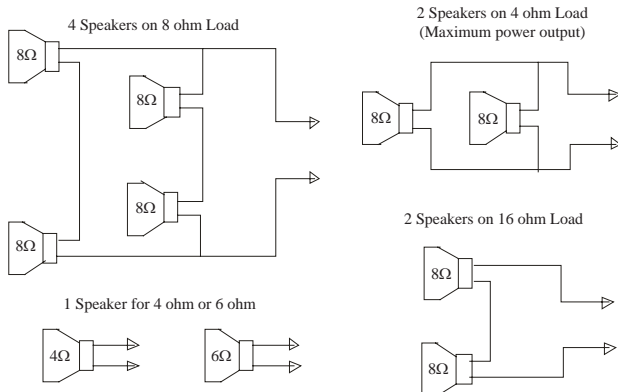
The Barking Dog/Voice Alert Siren Driver is designed to be used for fire and burglar applications. The VSD-208 is versatile and easy to install, compatible with most control panels, and can be mounted with the double sided tape provided. The VSD-208 can instantly produce verbal fire and burglary announcements. A 5 dip-switch combination will enable you to choose from 32 different mode selections. One of eight distinctive siren/sounds operate independently or in conjunction with the voice warning.

Installation Wiring



Note: This device requires constant 12V DC, 1.2A power and a negative or positive trip. Refer to jumper settings for proper operation.

Multiple Speaker Wiring Configuration



Trigger Inputs			
BA Terminal	Steady Voltage	Burglar Message, Pulsating Voltage	Fire Message
FA Terminal	Steady Voltage	Fire Message	

* 8 ohm 15 watt speakers are recommended.
4 ohm or 6 ohm speakers, use one speaker only.

VSD-208

MULTI-TONE HIGHPOWER SIREN DRIVER

Dip Switch Selection						Message and Sound Output		
No.	S1	S2	S3	S4	S5	Data	Burglar Alert	Fire Alert
1	ON	ON	ON	ON	ON	0 0	Test Mode 1	Test Mode 1
2	ON	ON	ON	ON	OFF	0 1	(BG) + (A)	(FI) + (H)
3	ON	ON	ON	OFF	ON	0 2	(BG) + (A)	(FI) + (G)
4	ON	ON	ON	OFF	OFF	0 3	(BG) + (A)	(FI) + (F)
5	ON	ON	OFF	ON	ON	0 4	(BG) + (C)	(FI) + (D)
6	ON	ON	OFF	ON	OFF	0 5	(BG) + (C)	(FI) + (C)
7	ON	ON	OFF	OFF	ON	0 6	(BG) + (C)	(FI) + (A)
8	ON	ON	OFF	OFF	OFF	0 7	(BG) + (D)	(FI) + (H)
9	ON	OFF	ON	ON	ON	0 8	(BG) + (D)	(FI) + (G)
10	ON	OFF	ON	ON	OFF	0 9	(BG) + (D)	(FI) + (F)
11	ON	OFF	ON	OFF	ON	0 A	(BG) + (E)	(FI) + (D)
12	ON	OFF	ON	OFF	OFF	0 B	(BG) + (E)	(FI) + (B)
13	ON	OFF	OFF	ON	ON	0 C	(BG) + (E)	(FI) + (A)
14	ON	OFF	OFF	ON	OFF	0 D	(BG) + (F)	(FI) + (H)
15	ON	OFF	OFF	OFF	ON	0 E	(BG) + (F)	(FI) + (G)
16	ON	OFF	OFF	OFF	OFF	0 F	(BG) + (F)	(FI) + (F)
17	OFF	ON	ON	ON	ON	1 0	(BG) + (G)	(FI) + (C)
18	OFF	ON	ON	ON	OFF	1 1	(BG) + (G)	(FI) + (B)
19	OFF	ON	ON	OFF	ON	1 2	(BG) + (G)	(FI) + (A)
20	OFF	ON	ON	OFF	OFF	1 3	(BG) + (H)	(FI) + (H)
21	OFF	ON	OFF	ON	ON	1 4	(BG) + (H)	(FI) + (G)
22	OFF	ON	OFF	ON	OFF	1 5	(BG) + (H)	(FI) + (F)
23	OFF	ON	OFF	OFF	ON	1 6	(BG) + (E) + (A)	(FI) + (D) + (C)
24	OFF	ON	OFF	OFF	OFF	1 7	(BG) + (E) + (F)	(FI) + (D) + (G)
25	OFF	OFF	ON	ON	ON	1 8	Test Mode 2	Test Mode 2
26	OFF	OFF	ON	ON	OFF	1 9	(A)	(B)
27	OFF	OFF	ON	OFF	ON	1 A	(C)	(A)
28	OFF	OFF	ON	OFF	OFF	1 B	(D)	(C)
29	OFF	OFF	OFF	ON	ON	1 C	(E)	(G)
30	OFF	OFF	OFF	ON	OFF	1 D	(F)	(D)
31	OFF	OFF	OFF	OFF	ON	1 E	(G)	(H)
32	OFF	OFF	OFF	OFF	OFF	1 F	Message Only	Message Only

(BG) = Burglar Message : Leave immediately, you have entered a restricted area, authorities are responding. Burglary - Burglary.

(FI) = Fire Message: Fire - Fire, leave immediately.

Test Mode 1: Burglar Alert - Msg + (A) + (C) + (D) + (E) + (F) + (G) + (H)

Fire Alert - Msg + (A) + (C) + (D) + (F) + (G) + (H)

Test Mode 2: Burglar Alert - (A) + (C) + (D) + (E) + (F) + (G) + (H)

Fire Alert - (A) + (B) + (C) + (D) + (F) + (G) + (H)

Sound Choices:

(A) Police siren

(B) Fire bell

(C) Fast warble

(D) Buzzer

(E) Barking dogs

(F) Siren

(G) Slow whoop

(H) Pulsing bell

Trigger Inputs			
BA Terminal	Steady Voltage	Burglar Message, Pulsating Voltage	Fire Message
FA Terminal	Steady Voltage	Fire Message	

Jumper Settings

JP1: BA/FA

Input trigger signal level

JP2: Voice message

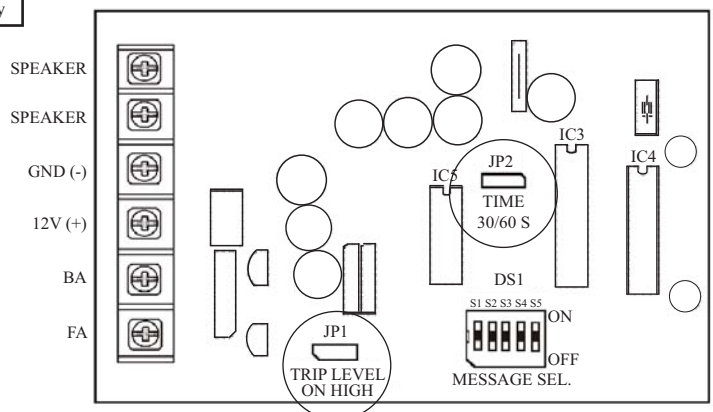
Repeating interval time

JP1 - ON requires a high signal to trigger (+12VDC)

JP1 - OFF requires a low signal to trigger (ground)

JP2 - ON 30 sec.

JP2 - OFF 60 sec.



Voice Alert Siren Driver PCB