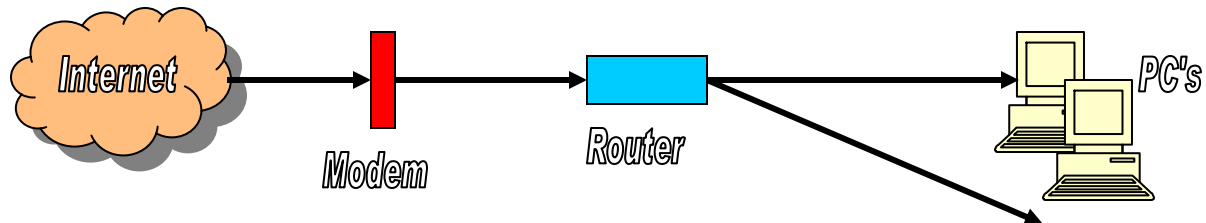


Basic Network Hardware Design

The average Home and Small Business Network will consist of a few basic components.

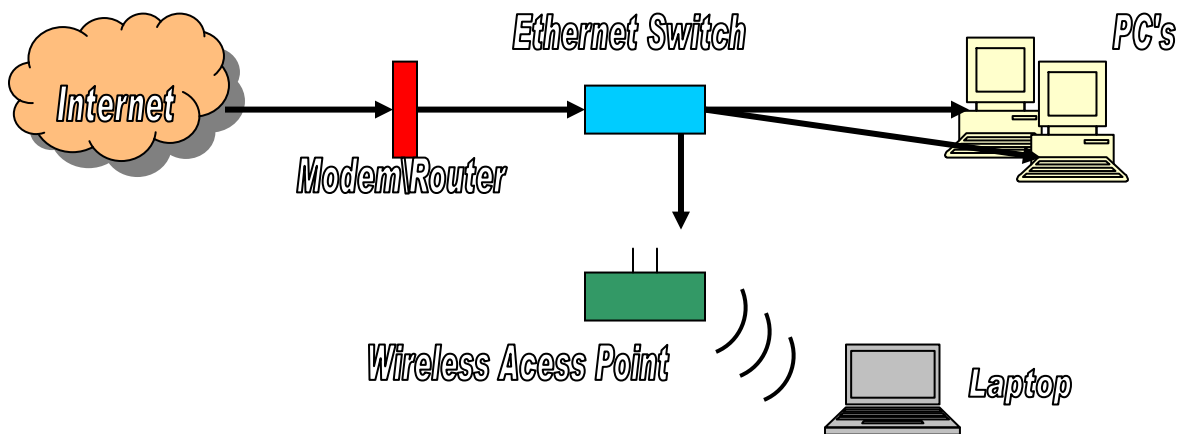
1. Internet Modem
2. Ethernet Router (Wired Or Wireless)
3. Network Switch (Need if more network Wired Connections are needed)



It is very common for the Internet Service Provider to provide a combination Modem\Router as part of their internet package. It is very important to make sure that when if this is the case, **not to use a second router in the network**. You can “Google“the model number of the unit to identify the type of unit that the Internet Service Provide has supplied to make sure you understand what the unit is.

If it is a combination Modem\Router then your network hardware can change slightly:

1. Internet Modem\Router
2. Network Switch
3. Wireless Access Point (if wireless capability is desired)



The main reason not to have more than one router in the Network Setup is due to the fact that it makes the Port Forwarding More complicated, and it keeps all your devices on the same LAN (Local Area Network) so you can access the Security DVR using the same IP address we will assign to it.

Having two routers in the Network Set-up can be done if needed, the first router set-up would remain the same, but the second router in this set-up would be set to a static IP address. You would then; forward the (2) ports needed for the DVR to the Static IP of the second router, then set-up the Port Forwarding on the second to forward the (2) ports to the IP address of the DVR.

The proper set-up of your network allows you to also take advantage of Network File Sharing, Media Sharing, Printer Sharing, and other types of “Home Control Systems” that are being used today.